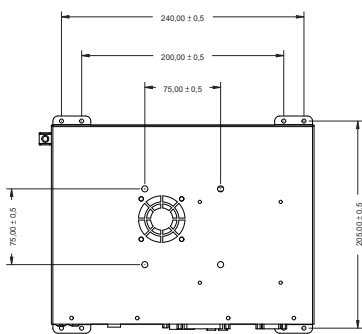


# PANEL PC

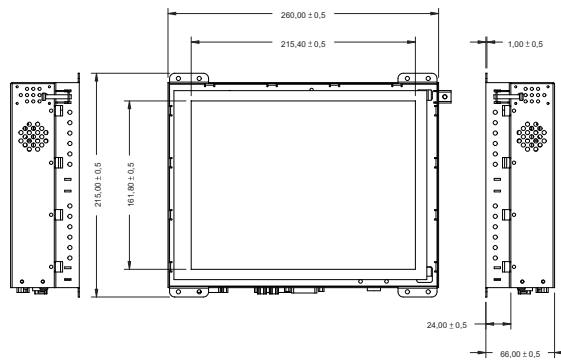
10.4" High performance Panel PC with Intel Chipset motherboard  
Open Frame



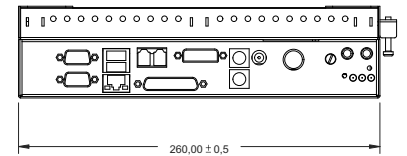
## • R10B89T-0FP1



REAR VIEW



DRAWING



CONNECTOR DESCRIPTION

### LCD Specifications

Viewable Size Image	10.4"
Active Display Area(mm)	211.2(H)x158.4(V)
Pixel Pitch(mm)	0.264(H)x0.264(V)
Number of Pixels	800x600
Contrast Ratio	350:1(typ.)
Display Color	262144(6bit/colors)
Brightness(cd/m <sup>2</sup> )	350(typ.)
Viewing Angle(CR>=10)	-40~60(H);-60~60(V)(typ.)
Recommended Resolution	800x600
Optional Touch Screen	Resistive

### System Spec

CPU Socket	Socket 479 or CPU on board
CPU	Intel® Pentium® M / up to 2.0GHz
Front Side Bus	400 MHz
Chipset	Intel® 855GME ICH4
Memory	One 184-pin DDR DIMM Max.1GB (default 256 MB)
BIOS	Award 4Mbit
VGA Controller	Intel® 855GME integrated
VGA Memory	Shared memory Max. 64MB
LCD Support	18-bit LVDS (dual channel)
Ethernet	Intel® ICH4 integrated+PHY 82565EZ Intel® 82541 GI Gigabit Ethernet
Audio	Built-in audio+AC97 codec
IDE	1 U DMA33/66/100
SATA	N/A
Super I/O Chipset	W83627HF
Parallel	1 SPP/EPP/ECP port
Serial	2xRS232
Fire Wire	2x1394
USB	2 external port / 2 on board pin headers
IrDA	Yes
KB / Mouse Connector	PS/2
Watchdog Timer	256 levels
Expansion Slots	1xPCI, 1xMini PCI internal
Power Adapter:	DC In 12V
HDD	40GB
DVD	No

### Environment & Dimensions

Form Factor	Mini-ITX
Temperature	Operating:0~50 ° C Storage:-10°C ~+60°C
Humidity	Operation:5~95% non condensing Storage:5~95% non condensing
Cooling	Fan cooling concept
Shock	Operating:15G, 11ms duration
Vibration	Operating: 5 Hz ~ 500 Hz/ 1 Grms/ 3 Axis Packing: 5 Hz ~ 500 Hz/ 2.16 Grms/ 3 Axis